

Technical data sheet



Product features

Freezing cabinet 130 l, white

Model	SAP Code	00018512
--------------	-----------------	----------



- Chamber volume [l]: 130
- Minimum device temperature [°C]: -10
- Maximum device temperature [°C]: -22
- Insulation thickness [mm]: 40
- Control type: Digital
- Door lock: Yes
- Opening of device: Two-sided
- Annual energy consumption [kWh]: 894

SAP Code	00018512	Chamber volume [l]	130
Net Width [mm]	600	Gross Volume [m3]	0.425
Net Depth [mm]	615	Net Volume [m3]	0.315
Net Height [mm]	855	Minimum device temperature [°C]	-10
Net Weight [kg]	46.00	Maximum device temperature [°C]	-22
Power electric [kW]	0.158	Refrigerant	R290
Loading	230 V / 1N - 50 Hz	Refrigerant weight [g]	46.00
Energy class	C	Climate class	4

Technical data sheet



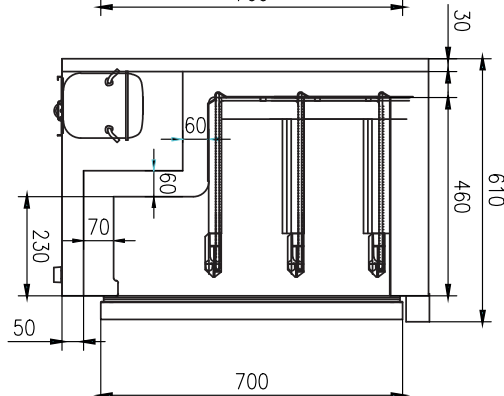
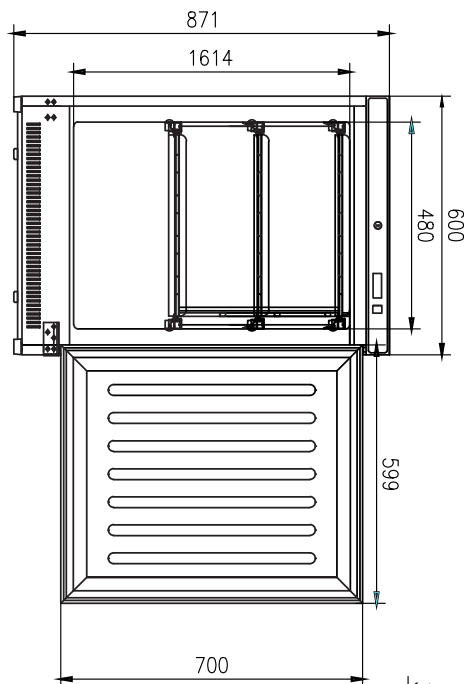
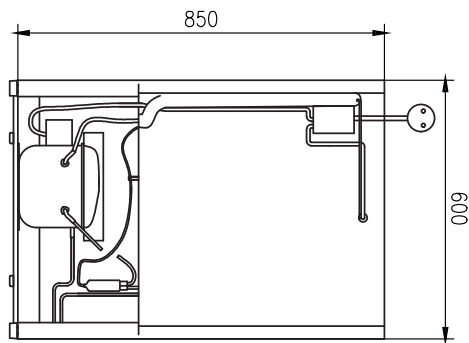
Technical drawing

Freezing cabinet 130 l, white

Model

SAP Code

00018512



Technical data sheet



Technical parameters

Freezing cabinet 130 l, white

Model

SAP Code

00018512

1. SAP Code:

00018512

2. Net Width [mm]:

600

3. Net Depth [mm]:

615

4. Net Height [mm]:

855

5. Net Weight [kg]:

46.00

6. Gross Width [mm]:

625

7. Gross depth [mm]:

645

8. Gross Height [mm]:

1055

9. Gross Weight [kg]:

51.00

10. Device type:

Electric unit

11. Power electric [kW]:

0.158

12. Loading:

230 V / 1N - 50 Hz

13. Energy class:

C

14. Refrigerant:

R290

15. Cooling type:

Static with fan

16. Material:

Stainless steel

17. Exterior color of the device:

White

18. Min ambient temperature [°C]:

10

19. Max ambient temperature [°C]:

43

20. Device properties 2:

Freezing

21. Chamber volume [l]:

130

22. Gross Volume [m3]:

0.425

23. Net Volume [m3]:

0.315

24. Worktop material:

Tin-plate

25. Adjustable feet:

Yes

26. Insulation thickness [mm]:

40

27. Opening of device:

Two-sided

28. Gasket:

Yes

Technical data sheet



Technical parameters

Freezing cabinet 130 l, white

Model

SAP Code

00018512

29. Number of doors:

1

34. Minimum device temperature [°C]:

-10

30. Unit:

Yes

35. Maximum device temperature [°C]:

-22

31. Control type:

Digital

36. Refrigerant weight [g]:

46.00

32. Door lock:

Yes

37. Number of grids:

3

33. Annual energy consumption [kWh]:

894

38. Climate class:

4